



# NEXT GENERATION ADELAIDE INTERNATIONAL

31 December 2006 - 7 January 2007

Hard, Rebound Ace

\$436,000



## ROUND ROBIN MATCHES

GROUP 1				GROUP 2				GROUP 3				GROUP 4				GROUP 5				GROUP 6				GROUP 7				GROUP 8																																																																																																																																																							
MATCHES		WINNER	SCORE	STANDINGS		MATCH WINS	% SETS WON	% GAMES WON	MATCHES		WINNER	SCORE	STANDINGS		MATCH WINS	% SETS WON	% GAMES WON	MATCHES		WINNER	SCORE	STANDINGS		MATCH WINS	% SETS WON	% GAMES WON	MATCHES		WINNER	SCORE	STANDINGS		MATCH WINS	% SETS WON	% GAMES WON																																																																																																																																																
1   DJOKOVIC, Novak (SRB)				wc   JONES, Alun (AUS)					5   HRBATY, Dominik (SVK)				wc   LUCZAK, Peter (AUS)					3   STEPANEK, Radek (CZE)				wc   SPADEA, Vincent (USA)					7   SIMON, Gilles (FRA)				wc   JOHANSSON, Joachim (SWE)					8   MATHIEU, Paul-Henri (FRA)				wc   HERNYCH, Jan (CZE)					DEL POTRO, Juan Martin (ARG)					4   HEWITT, Lleyton (AUS)				wc   TIPSAREVIC, Janko (SRB)					KUNITSYN, Igor (RUS)					6   CLEMENT, Arnaud (FRA)				wc   GUCCIONE, Chris (AUS)					2   GASQUET, Richard (FRA)				wc   MAYER, Florian (GER)					DANCEVIC, Frank (CAN)																																																																																																	
N. DJOKOVIC [1]	vs	J. HAJEK	N. DJOKOVIC	60 61	1st Place	N. DJOKOVIC [1]	2	100.0%	85.7%	D. HRBATY [5]	vs	P. GOLDSTEIN	P. GOLDSTEIN	62 76(4)	1st Place	P. GOLDSTEIN	2	100.0%	63.4%	R. STEPANEK [3]	vs	V. SPADEA	V. SPADEA	64 64	1st Place	V. SPADEA	2	100.0%	62.5%	G. SIMON [7]	vs	F. SERRA	G. SIMON	62 57 11 Ret'd	1st Place	J. JOHANSSON	1	60.0%	53.1%	P. MATHIEU [8]	vs	J. HERNYCH	P. MATHIEU	46 63 63	1st Place	J. DEL POTRO	2	80.0%	54.3%	L. HEWITT [4]	vs	J. TIPSAREVIC	L. HEWITT	61 42 Ret'd	1st Place	I. KUNITSYN	2	80.0%	59.2%	A. CLEMENT [6]	vs	B. BECKER	A. CLEMENT	75 61	1st Place	C. GUCCIONE	2	100.0%	68.4%	R. GASQUET [2]	vs	F. MAYER	R. GASQUET	62 61	1st Place	R. GASQUET [2]	2	80.0%	62.5%	F. MAYER	vs	F. DANCEVIC	F. MAYER	64 64	3rd Place	F. DANCEVIC	0	20.0%	43.4%	R. GASQUET [2]	vs	F. DANCEVIC	R. GASQUET	75 57 63	2nd Place	F. MAYER	1	50.0%	42.9%	M. VASSALLO ARGUELLO	vs	I. KUNITSYN	I. KUNITSYN	64 62	3rd Place	M. VASSALLO ARGUELLO	0	0%	33.3%	A. CLEMENT [6]	vs	C. GUCCIONE	A. CLEMENT	76(4) 76(5)	2nd Place	A. CLEMENT [6]	1	50.0%	61.9%	F. MAYER	vs	F. DANCEVIC	F. MAYER	64 64	3rd Place	F. DANCEVIC	0	20.0%	43.4%	B. BECKER	vs	C. GUCCIONE	C. GUCCIONE	75 63	3rd Place	B. BECKER	0	0%	35.9%	R. GASQUET [2]	vs	F. DANCEVIC	R. GASQUET	62 61	1st Place	R. GASQUET [2]	2	80.0%	62.5%	F. MAYER	vs	F. DANCEVIC	F. MAYER	64 64	3rd Place	F. DANCEVIC	0	20.0%	43.4%	R. GASQUET [2]	vs	F. DANCEVIC	R. GASQUET	75 57 63	2nd Place	F. MAYER	1	50.0%	42.9%	F. MAYER	vs	F. DANCEVIC	F. MAYER	64 64	3rd Place	F. DANCEVIC	0	20.0%	43.4%

MATCHES		WINNER	SCORE	STANDINGS		MATCH WINS	% SETS WON	% GAMES WON	
D. HRBATY [5]	vs	P. GOLDSTEIN	P. GOLDSTEIN	62 76(4)	1st Place	P. GOLDSTEIN	2	100.0%	63.4%
D. HRBATY [5]	vs	P. LUCZAK	P. LUCZAK	76(7) 63	2nd Place	P. LUCZAK	1	50.0%	47.6%
P. GOLDSTEIN	vs	P. LUCZAK	P. GOLDSTEIN	76(8) 61	3rd Place	D. HRBATY [5]	0	0%	39.5%

MATCHES		WINNER	SCORE	STANDINGS		MATCH WINS	% SETS WON	% GAMES WON	
R. STEPANEK [3]	vs	V. SPADEA	V. SPADEA	64 64	1st Place	V. SPADEA	2	100.0%	62.5%
R. STEPANEK [3]	vs	E. KOROLEV	R. STEPANEK	46 62 62	2nd Place	R. STEPANEK [3]	1	40.0%	52.2%
V. SPADEA	vs	E. KOROLEV	V. SPADEA	61 76(6)	3rd Place	E. KOROLEV	0	20.0%	37.0%

MATCHES		WINNER	SCORE	STANDINGS		MATCH WINS	% SETS WON	% GAMES WON	
G. SIMON [7]	vs	F. SERRA	G. SIMON	62 57 11 Ret'd	1st Place	J. JOHANSSON	1	60.0%	53.1%
G. SIMON [7]	vs	J. JOHANSSON	J. JOHANSSON	64 75	2nd Place	G. SIMON [7]	1	50.0%	40.9%
F. SERRA	vs	J. JOHANSSON	F. SERRA	26 63 64	3rd Place	F. SERRA	1	40.0%	51.9%

MATCHES		WINNER	SCORE	STANDINGS		MATCH WINS	% SETS WON	% GAMES WON	
P. MATHIEU [8]	vs	J. HERNYCH	P. MATHIEU	46 63 63	1st Place	J. DEL POTRO	2	80.0%	54.3%
P. MATHIEU [8]	vs	J. DEL POTRO	J. DEL POTRO	76(3) 06 63	2nd Place	P. MATHIEU [8]	1	50.0%	55.4%
J. HERNYCH	vs	J. DEL POTRO	J. DEL POTRO	62 64	3rd Place	J. HERNYCH	0	0%	0%

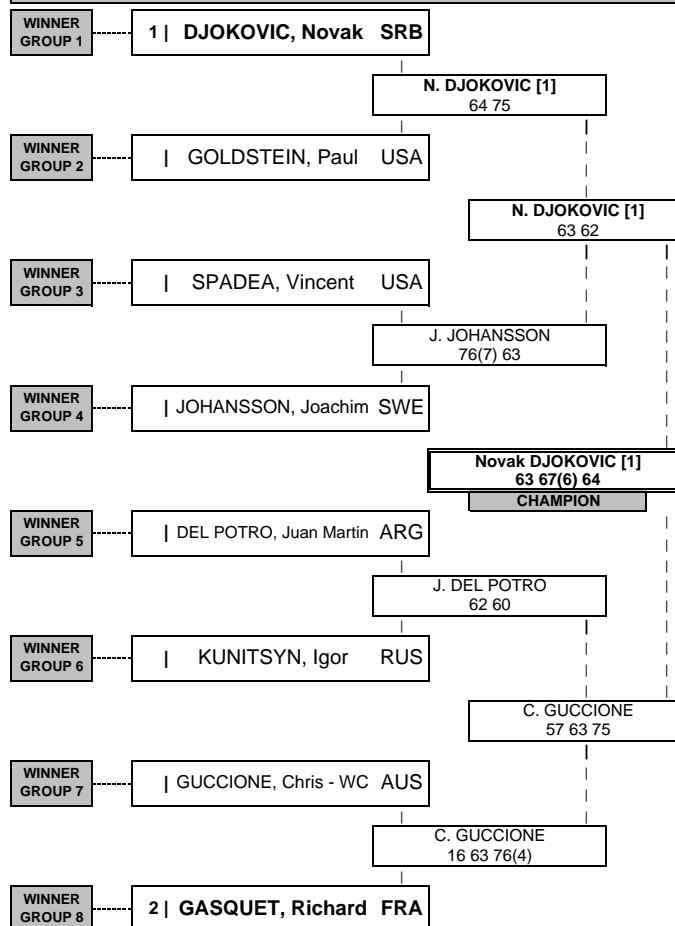
MATCHES		WINNER	SCORE	STANDINGS		MATCH WINS	% SETS WON	% GAMES WON	
L. HEWITT [4]	vs	J. TIPSAREVIC	L. HEWITT	61 42 Ret'd	1st Place	I. KUNITSYN	2	80.0%	59.2%
L. HEWITT [4]	vs	I. KUNITSYN	I. KUNITSYN	46 76(4) 64	2nd Place	L. HEWITT [4]	1	60.0%	48.5%
M. VASSALLO ARGUELLO	vs	I. KUNITSYN	I. KUNITSYN	64 62	3rd Place	M. VASSALLO ARGUELLO	0	0%	33.3%

MATCHES		WINNER	SCORE	STANDINGS		MATCH WINS	% SETS WON	% GAMES WON	
A. CLEMENT [6]	vs	B. BECKER	A. CLEMENT	75 61	1st Place	C. GUCCIONE	2	100.0%	68.4%
A. CLEMENT [6]	vs	C. GUCCIONE	C. GUCCIONE	76(4) 76(5)	2nd Place	A. CLEMENT [6]	1	50.0%	61.9%
B. BECKER	vs	C. GUCCIONE	C. GUCCIONE	75 63	3rd Place	B. BECKER	0	0%	35.9%

MATCHES		WINNER	SCORE	STANDINGS		MATCH WINS	% SETS WON	% GAMES WON	
R. GASQUET [2]	vs	F. MAYER	R. GASQUET	62 61	1st Place	R. GASQUET [2]	2	80.0%	62.5%
R. GASQUET [2]	vs	F. DANCEVIC	R. GASQUET	75 57 63	2nd Place	F. MAYER	1	50.0%	42.9%
F. MAYER	vs	F. DANCEVIC	F. MAYER	64 64	3rd Place	F. DANCEVIC	0	20.0%	43.4%

Prize Money		Points		Lucky Losers		The Players		Rank
Winner	\$64,800	Winner	175			1	DJOKOVIC, Novak	16
Finalist	\$33,350	Finalist	120			2	GASQUET, Richard	18
Semi Finalist	\$16,750	Semi Finalist	75			3	STEPANEK, Radek	19
Quarter Finalist	\$7,500	Quarter Finalist	40			4	HEWITT, Lleyton	20
RR Match Win	\$2,000	RR Match Win	20	Retirements/W.O.		5	HRBATY, Dominik	21
RR Participation	\$4,775	Elimination Win	10	Serra, Florent - illness		6	CLEMENT, Arnaud	42
MDE Participation	\$3,250	Qualifier	5	Tipsarevic, Janko - adductor		7	SIMON, Gilles	45
						8	MATHIEU, Paul-Henri	55

## FINALS ROUND



The Players	Rank	The Players	Rank	Last Direct Acceptance	
9 MAYER, Florian	56	17 DANCEVIC, Frank	88	MULLER, Gilles - 106	
10 BECKER, Benjamin	58	18 DEL POTRO, Juan Martin	92	FOLLOW LIVE SCORING AT ATPtennis.com	
11 SERRA, Florent	60	19 KUNITSYN, Igor	94		
12 TIPSAREVIC, Janko	64	20 KOROLEV, Evgeny	103		
13 GOLDSTEIN, Paul	70	21 GUCCIONE, Chris	153		
14 SPADEA, Vincent	73	22 LUCZAK, Peter	166		
15 HERNYCH, Jan	75	23 JOHANSSON, Joachim	193		
16 HAJEK, Jan	76	24 JONES, Alun	201		
					Tom Barnes
					ATP Supervisor